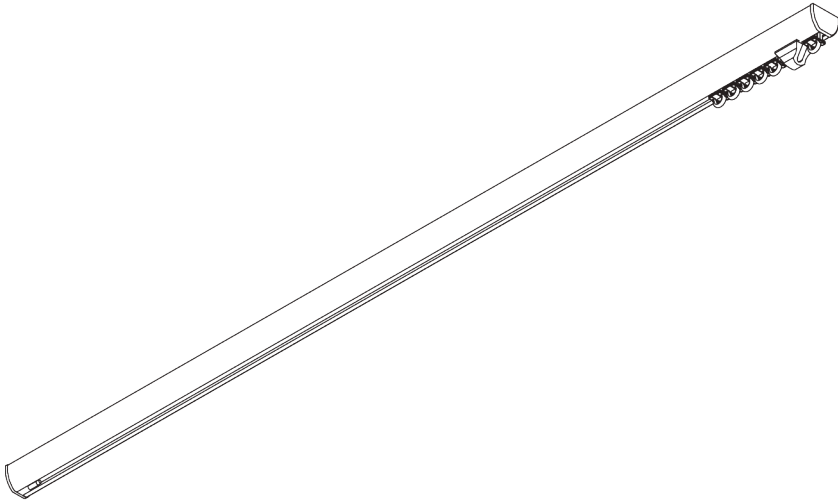


# SG 6010

---



## PRODUCT INFORMATION

- **Operation:** hand
- **Range:** S - M
- **Fitting:** ceiling, wall
- **Colours:** white RAL 9016, black RAL 9005 or anodised aluminum, special colours possible
- **Fabrics:** refer to Silent Gliss fabric collection

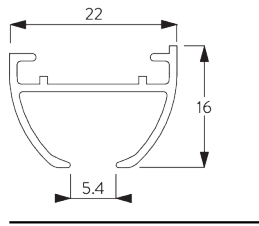
### **Features:**

- 2-component (2C) glider technology
- Wave (2C)
- Bendable

# SYSTEM SPECIFICATIONS

## A. PROFILE

Profile and bending information

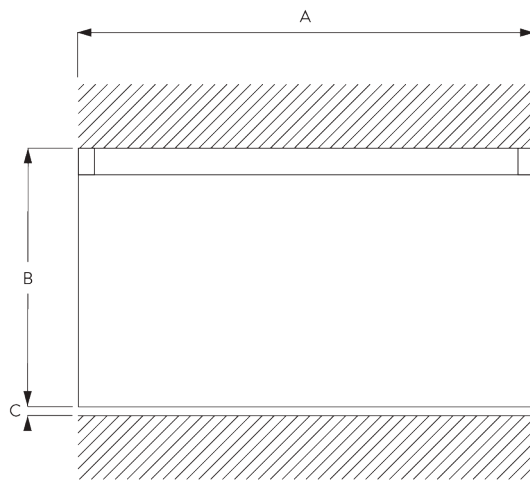


SG 6010p

Profile

Radius:  
✓ 15 cm, >25 cm

## B. HOW TO MEASURE



A: System width

B: System height

C: Distance between floor and fabric

## C. SPECIFICATION TEXT

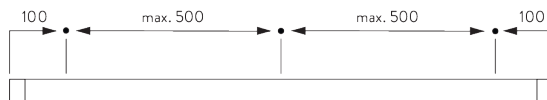
**Silent Gliss SG 6010 Hand Operated Curtain Track System.** Comprises aluminium profile SG 6010 supplied made to measure powder coated in white / black. Supplied as standard with 2C gliders SG 11300 at 14/m, 2 end covers SG 6018 and 2 end stops SG 6065. Top fixed with clamp SG 3825 at 500mm centres. Wall fix with SG Smart Fix brackets SG 11201-11205 and SG 3832 or SG 3825 / SG Square Smart Fix brackets SG 11210-11215 and SG 3832 or SG 3825 / Universal Smart Fix brackets SG 11154-11156 and SG 3832 or SG 3825. Silent Gliss Wave option is available using 60mm glider cord SG 11303 / 80mm glider cord SG 11302.

# FITTING

## A. FITTING INFORMATION

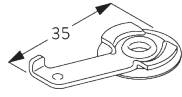
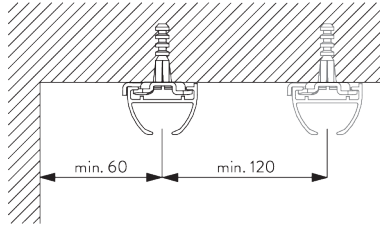
Fixing points

For detailed fitting information, visit the [Silent Gliss website](#).



## B. CEILING FITTING

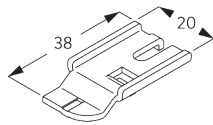
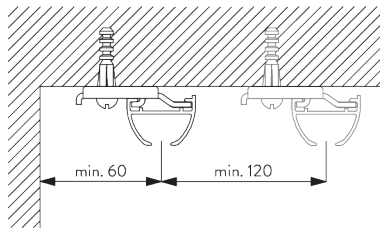
### Clamp SG 3825



**SG 3825**

Clamp

### Bracket SG 3832

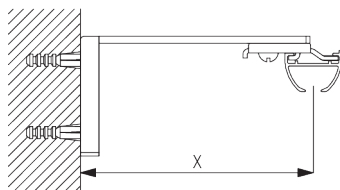


**SG 3832**

Bracket

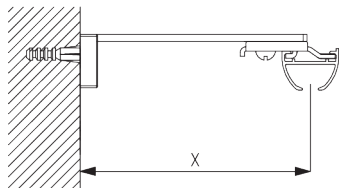
## C. WALL FITTING

### Smart Fix



**Smart Fix SG 11200 - SG 11205 and bracket SG 3832:**

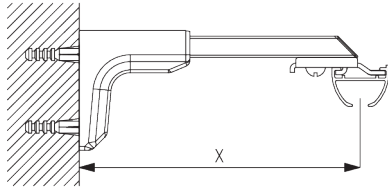
Screw SG 10492 (M4x8) needed.



**Square Smart Fix SG 11210 - SG 11215 and bracket SG 3832:**

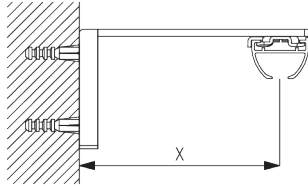
Screw SG 10492 (M4x8) needed.

| Smart Fix           | X mm (SG 3832) | X mm (SG 3825) |
|---------------------|----------------|----------------|
| SG 11200 / SG 11210 | 70             | 52             |
| SG 11201 / SG 11211 | 90             | 72             |
| SG 11202 / SG 11212 | 110            | 92             |
| SG 11203 / SG 11213 | 130            | 112            |
| SG 11204 / SG 11214 | 160            | 142            |
| SG 11205 / SG 11215 | 210            | 192            |
| SG 11154            | 120-148        | 102-130        |
| SG 11155            | 150-178        | 132-160        |
| SG 11156            | 200-228        | 182-210        |



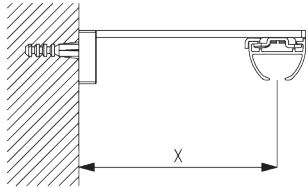
**Universal Smart Fix SG 11154 - SG 11156 and bracket SG 3832:**

Screw SG 10407 (M4x10) needed.



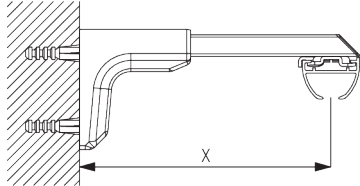
**Smart Fix SG 11200 - SG 11205 and clamp SG 3825:**

Screw SG 10074 (M4x8) needed.



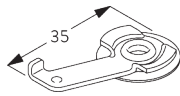
**Square Smart Fix SG 11210 - SG 11215 and clamp SG 3825:**

Screw SG 10074 (M4x8) needed.



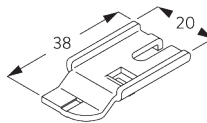
**Universal Smart Fix SG 11154 - SG 11156 and clamp SG 3825:**

Screw SG 11158 (M4x12) needed.



**SG 3825**

Clamp



**SG 3832**

Bracket



**SG 10407**

Pan head screw M4x10



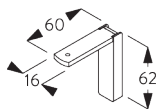
**SG 10492**

Pan head screw M4x8



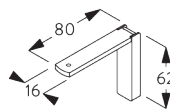
**SG 11158**

Countersunk head screw  
M4x12



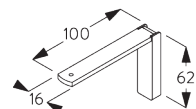
**SG 11200**

Smart Fix 60 mm



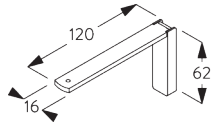
**SG 11201**

Smart Fix 80 mm

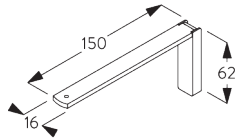


**SG 11202**

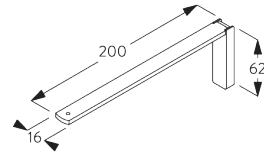
Smart Fix 100 mm



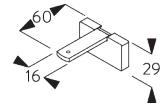
**SG 11203**  
Smart Fix 120 mm



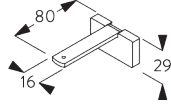
**SG 11204**  
Smart Fix 150 mm



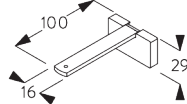
**SG 11205**  
Smart Fix 200 mm



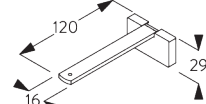
**SG 11210**  
Square Smart Fix 60 mm



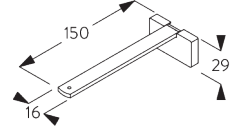
**SG 11211**  
Square Smart Fix 80 mm



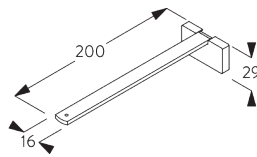
**SG 11212**  
Square Smart Fix 100 mm



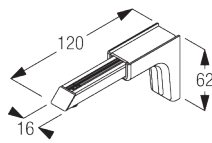
**SG 11213**  
Square Smart Fix 120 mm



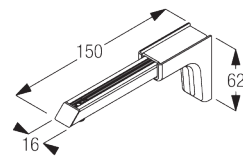
**SG 11214**  
Square Smart Fix 150 mm



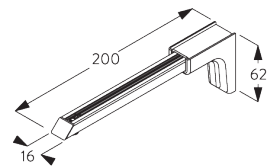
**SG 11215**  
Square Smart Fix 200 mm



**SG 11154**  
Universal Smart Fix 120 mm



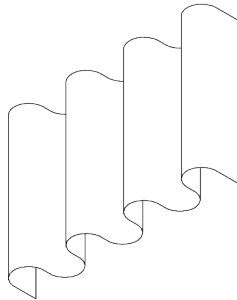
**SG 11155**  
Universal Smart Fix 150 mm



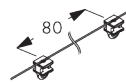
**SG 11156**  
Universal Smart Fix 200 mm

# SYSTEM OPTIONS

## A. WAVE



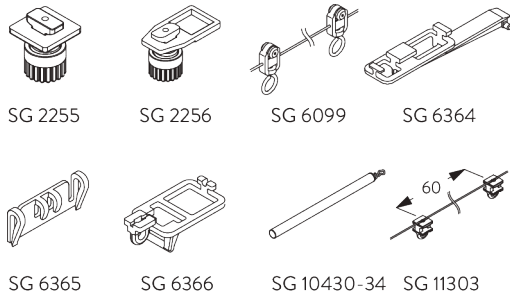
SG 11295



SG 11302

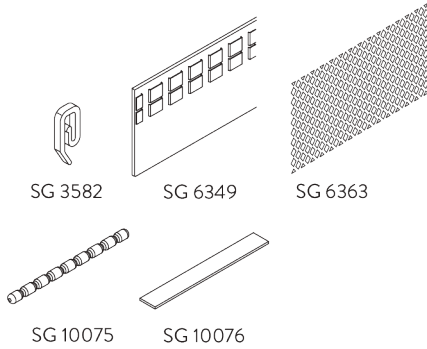
Standard components:

- SG 11295 End stop
- SG 11302 Wave 2C glider cord 80 mm



Optional components (min. radius: >25 cm):

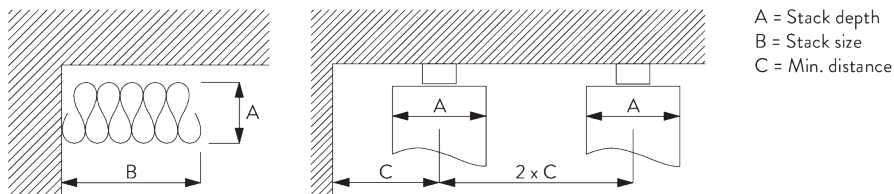
- SG 2255 Brake
- SG 2256 Brake
- SG 6099 Wave roller cord 80 mm
- SG 6364 Wave extension
- SG 6365 Wave hanger
- SG 6366 Wave carrier for draw rod
- SG 10430-34 Draw rod
- SG 11303 Wave 2C glider cord 60 mm



Curtain components:

- SG 3582 Hook
- SG 6349 Wave curtain tape
- SG 6363 Wave top hemming tape
- SG 10075 Lead weight 50 gr/m
- SG 10076 Fabric weight

Wave stack depth - 2C glider cord (standard components)



A = Stack depth  
B = Stack size  
C = Min. distance


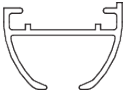
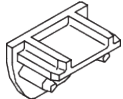


| 2C Glider cord<br>SG 11302 | Pockets between<br>hooks | Approx. curtain<br>fullness | Stack depth<br>A | Stack size<br>B*          | Min distance<br>C |
|----------------------------|--------------------------|-----------------------------|------------------|---------------------------|-------------------|
| 80                         | 6                        | ~2.1                        | 140              | 180 per metre<br>of track | 90                |
| 80                         | 7                        | ~2.3                        | 160              | 180 per metre<br>of track | 100               |

| 2C Glider cord<br>SG 11303 | Pockets between<br>hooks | Approx. curtain<br>fullness | Stack depth<br>A | Stack size<br>B*          | Min distance<br>C |
|----------------------------|--------------------------|-----------------------------|------------------|---------------------------|-------------------|
| 60                         | 4                        | ~2.1                        | 100              | 230 per metre<br>of track | 70                |
| 60                         | 5                        | ~2.3                        | 120              | 230 per metre<br>of track | 80                |

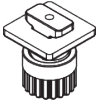
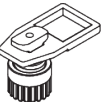

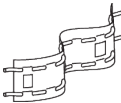



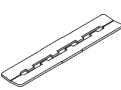
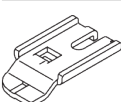


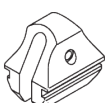

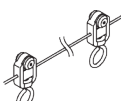
\*Stack size B when using optional extension arm SG 6364 increases by 95 mm per curtain stack!


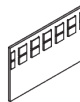

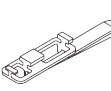
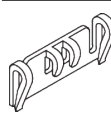
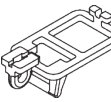

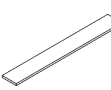
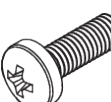

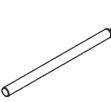
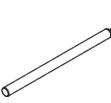
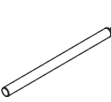
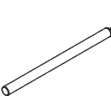
# PARTS

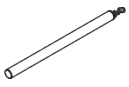
## A. STANDARD PARTS

|   |                              |
|---|------------------------------|
|  | <b>SG 3825</b><br>Clamp      |
|  | <b>SG 6010p</b><br>Profile   |
|  | <b>SG 6018</b><br>End cover  |
|  | <b>SG 6065</b><br>End stop   |
|  | <b>SG 11300</b><br>2C glider |

## B. OPTIONAL PARTS

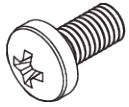
|   |  |
|---|--|
|    | <b>SG 2255</b><br>Brake                  |
|    | <b>SG 2256</b><br>Brake                  |
|    | <b>SG 3020</b><br>Hook                   |
|    | <b>SG 3562</b><br>Heading tape           |
|    | <b>SG 3571</b><br>Hook                   |
|   | <b>SG 3582</b><br>Hook                   |
|  | <b>SG 3599</b><br>Hook                   |
|  | <b>SG 3802</b><br>Connection bridge      |
|  | <b>SG 3832</b><br>Bracket                |
|  | <b>SG 6053</b><br>Spring stop            |
|  | <b>SG 6064</b><br>End stop               |
|  | <b>SG 6086</b><br>Spring stop            |
|  | <b>SG 6098</b><br>Roller                 |
|  | <b>SG 6099</b><br>Wave roller cord 80 mm |

|   |   |
|---|---|
|    | <b>SG 6283</b><br>Roller                    |
|    | <b>SG 6349</b><br>Wave curtain tape         |
|    | <b>SG 6363</b><br>Wave top hemming tape     |
|    | <b>SG 6364</b><br>Wave extension            |
|    | <b>SG 6365</b><br>Wave hanger               |
|   | <b>SG 6366</b><br>Wave carrier for draw rod |
|  | <b>SG 10075</b><br>Lead weight 50 g/m       |
|  | <b>SG 10076</b><br>Fabric weight            |
|  | <b>SG 10277</b><br>Pan head screw M4x12     |
|  | <b>SG 10407</b><br>Pan head screw M4x10     |
|  | <b>SG 10430</b><br>Draw rod 50 cm           |
|  | <b>SG 10431</b><br>Draw rod 75 cm           |
|  | <b>SG 10432</b><br>Draw rod 100 cm          |
|  | <b>SG 10433</b><br>Draw rod 125 cm          |



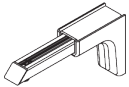
**SG 10434**

Draw rod 150 cm



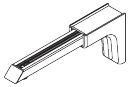
**SG 10492**

Pan head screw M4x8



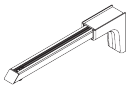
**SG 11154**

Universal Smart Fix 120 mm



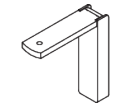
**SG 11155**

Universal Smart Fix 150 mm



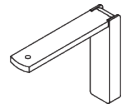
**SG 11156**

Universal Smart Fix 200 mm



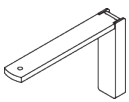
**SG 11200**

Smart Fix 60 mm



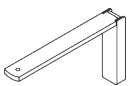
**SG 11201**

Smart Fix 80 mm



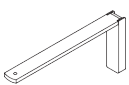
**SG 11202**

Smart Fix 100 mm



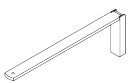
**SG 11203**

Smart Fix 120 mm



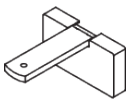
**SG 11204**

Smart Fix 150 mm



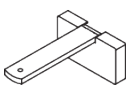
**SG 11205**

Smart Fix 200 mm



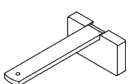
**SG 11210**

Square Smart Fix 60 mm



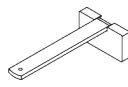
**SG 11211**

Square Smart Fix 80 mm



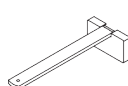
**SG 11212**

Square Smart Fix 100 mm



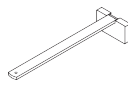
**SG 11213**

Square Smart Fix 120 mm



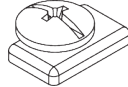
**SG 11214**

Square Smart Fix 150 mm



**SG 11215**

Square Smart Fix 200 mm



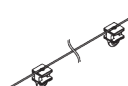
**SG 11295**

End stop



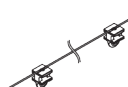
**SG 11301**

2C glider on strip



**SG 11302**

Wave 2C glider cord 80 mm



**SG 11303**

Wave 2C glider cord 60 mm